

# DYNAPAC

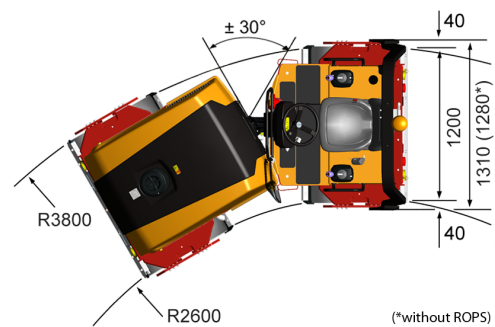
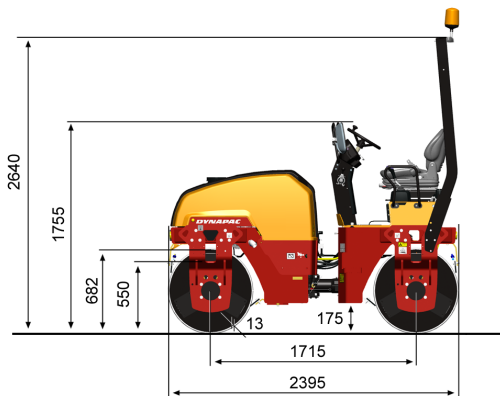
Part of the Atlas Copco Group

## CC1200

### Double drum vibratory rollers



#### Technical data



<b>Masses</b>	<b>CC1200</b>
Max. operating mass	2,710 kg
Operating mass (incl. ROPS)	2,600 kg
Module mass (front/ rear)	1,260/ 1,340 kg
<b>Traction</b>	
Speed range	0-10 km/ h
Vertical oscillation	±10°
Theor. gradeability	45 %
<b>Compaction</b>	
Centrifugal force	27 kN
Nominal amplitude	0.5 mm
Static linear load (front/ rear)	10.5/ 11.2 kg/ cm
Vibration frequency	58 Hz
Water tank	160 l
<b>Engine</b>	
Manufacturer/ Model	Kubota D1703- M
Type	Water cooled
Rated power, SAE J1995	26 kW (35 hp ) @ 2,800 rpm
Fuel tank capacity	50 l
<b>Hydraulic system</b>	
Driving	Axial piston pump with variable displacement. Radial piston motors (2) with constant displacement.
Vibration	Gear pump/ motors with constant displacement.
Steering	Gear pump with constant displacement.
Service brake	Hydrostatic in forward and reverse lever.
Parking/ Emergency brake	Failsafe multidisc brake in both drums.

Find your local dealer at [www.dynapac.com](http://www.dynapac.com)

We reserve the right to change specifications without notice. Photos and illustrations do not always show standard versions of machines.  
The above information is a general description only, all informations are supplied without liability.